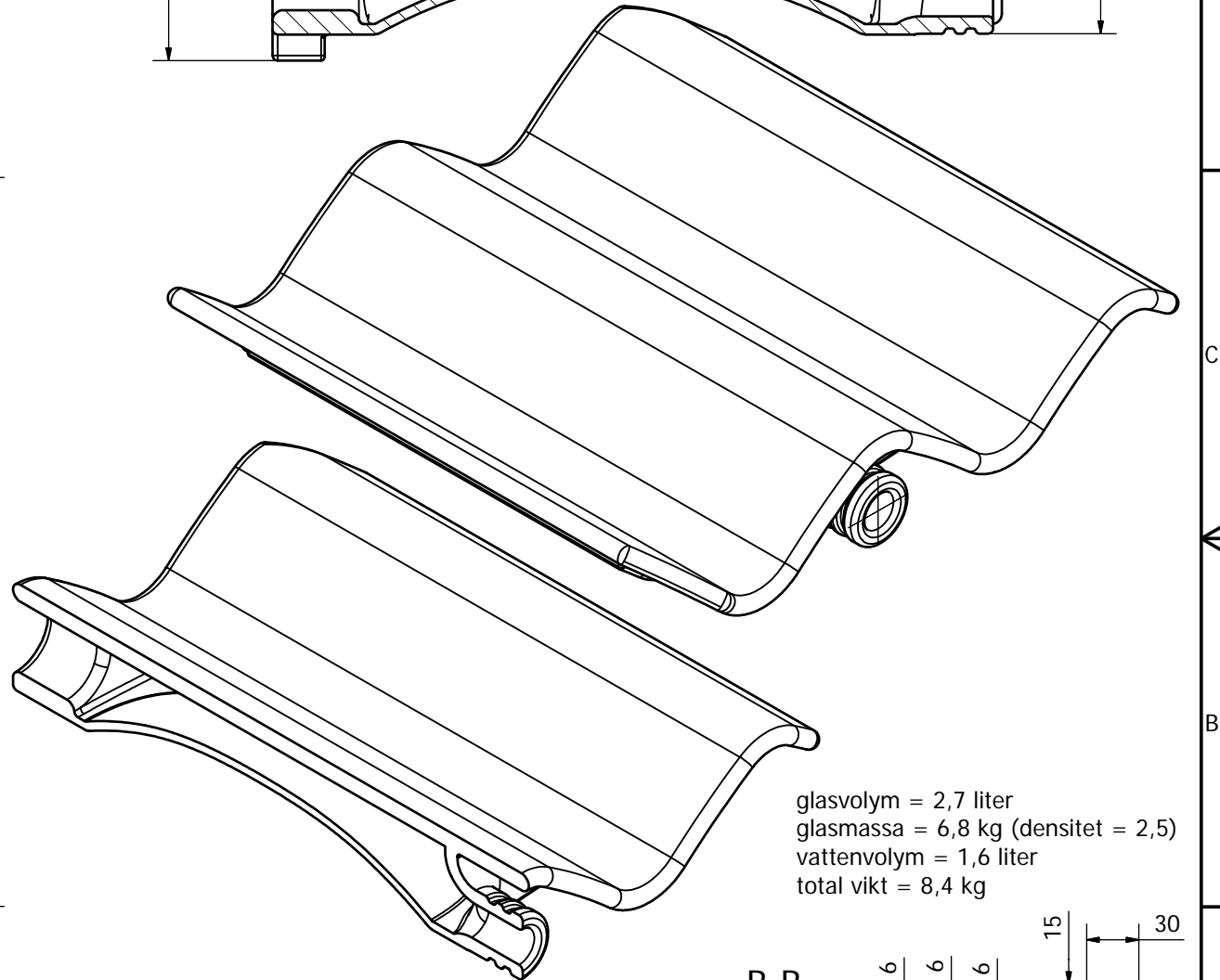
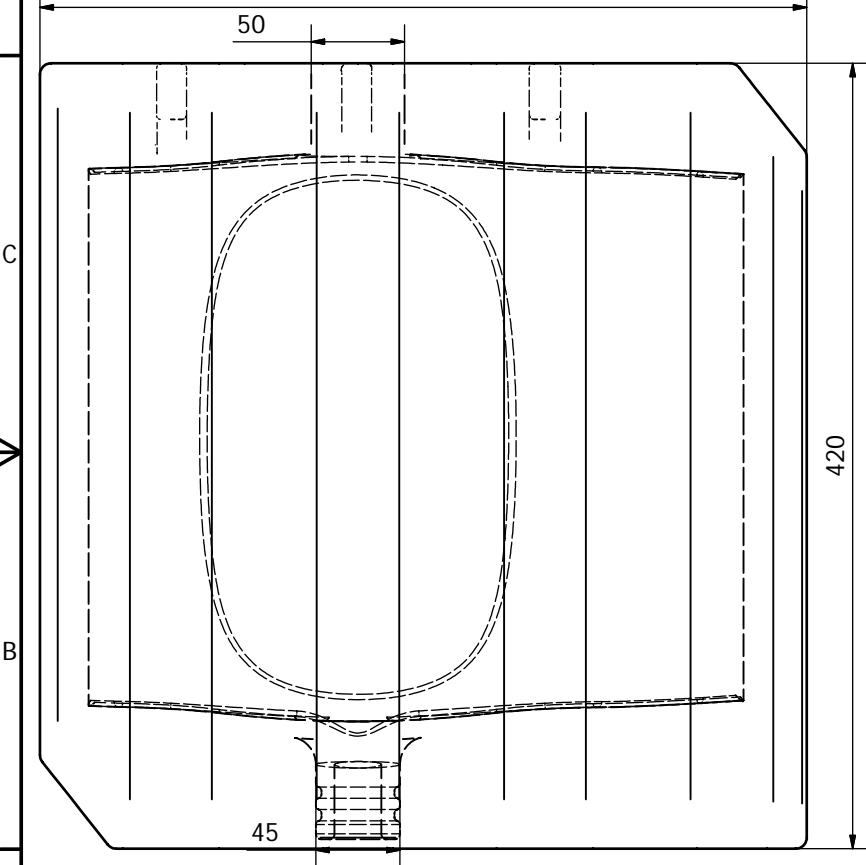
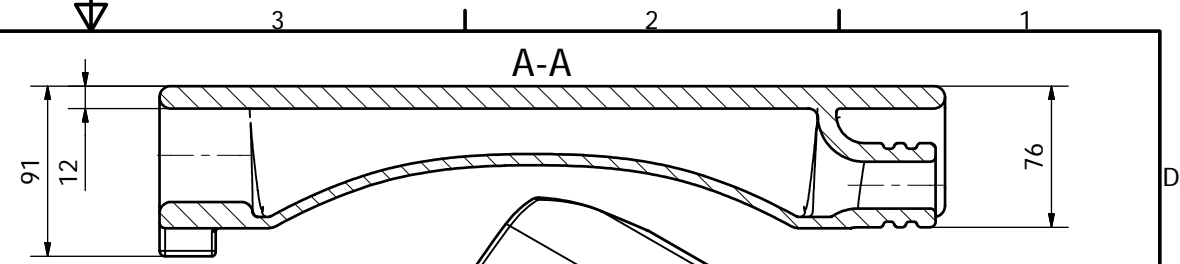
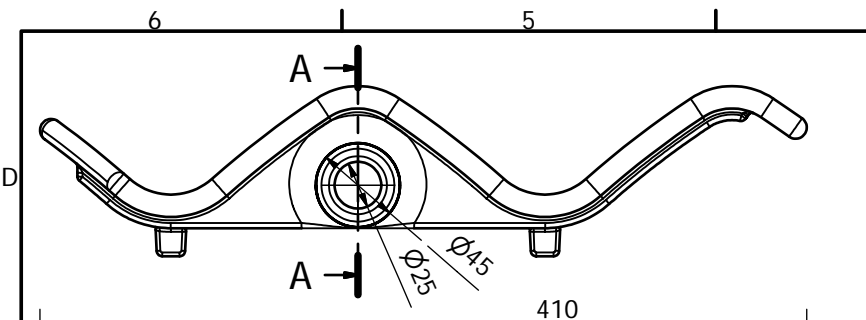


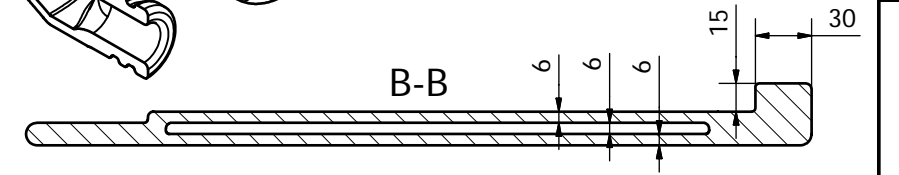
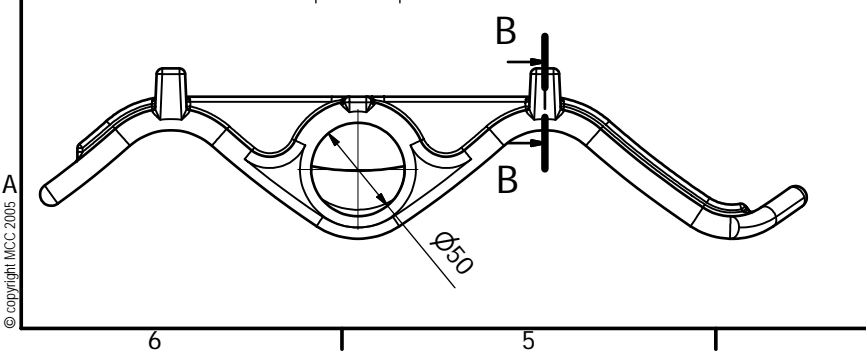
Patent pending
CONFIDENTIAL

Designed by magnus	Checked by	Approved by	Date	Date	
				2005-07-07	
MCC MC CAY CONSULTING					
tel/fax: 08-65 22 8 33, mobil: 0709-72 78 02			Part10	Edition	Sheet
					3 / 3

© copyright MCC 2005



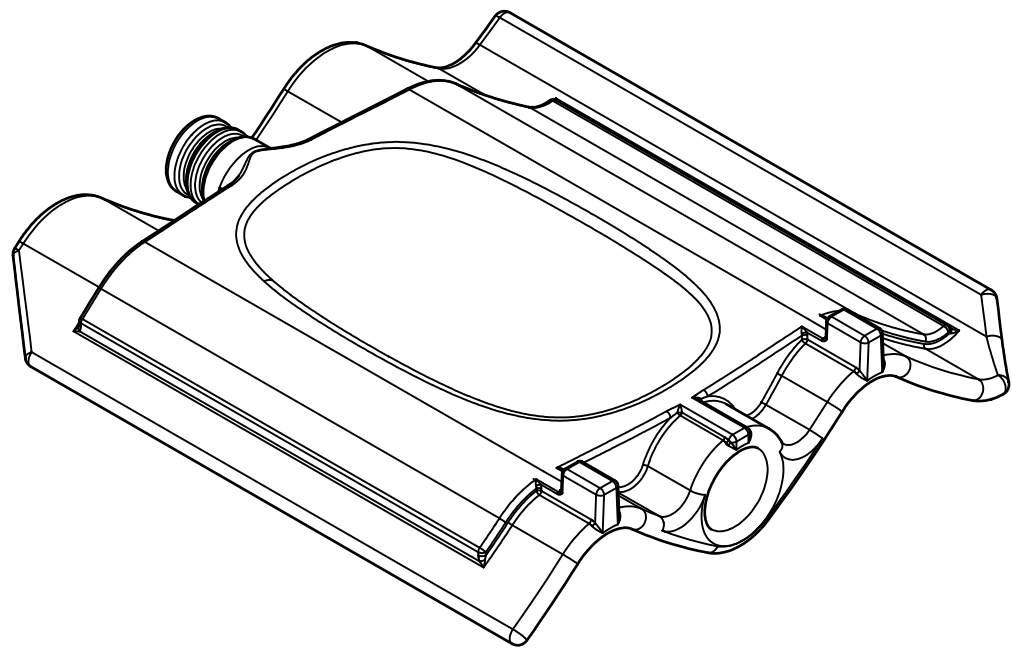
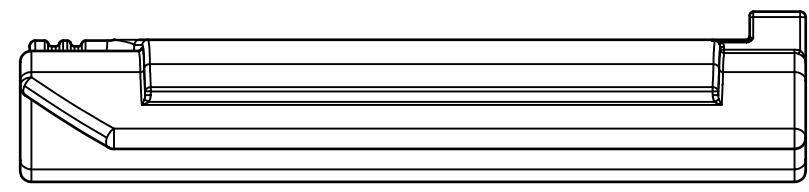
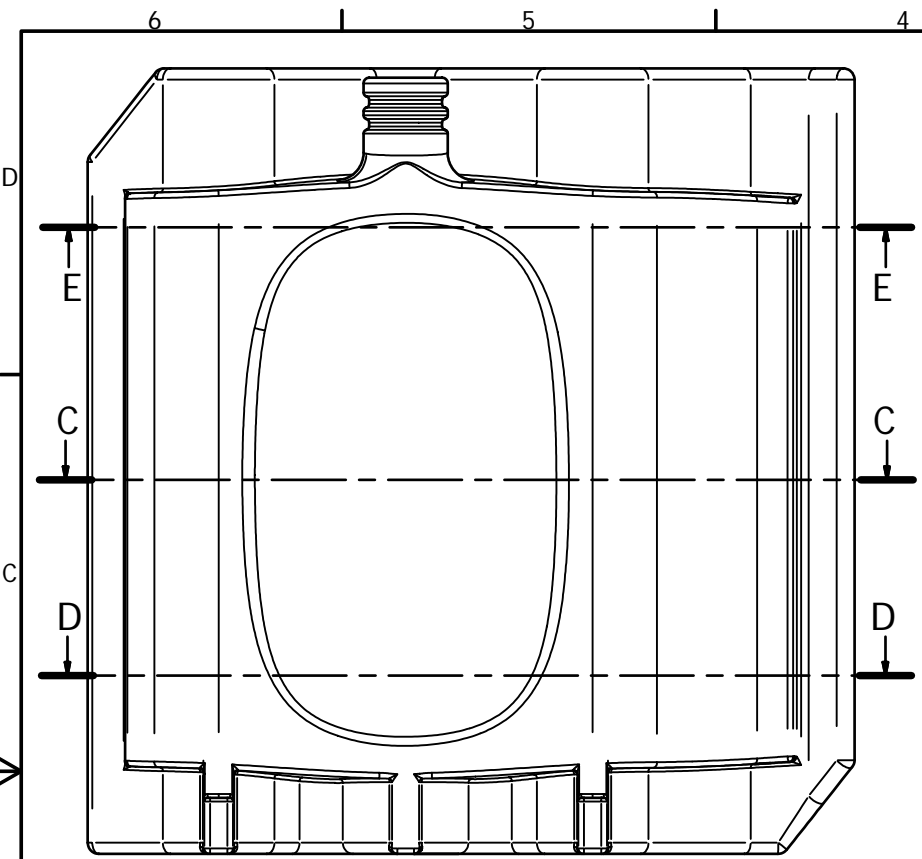
glasvolym = 2,7 liter
 glasmassa = 6,8 kg (densitet = 2,5)
 vattenvolym = 1,6 liter
 total vikt = 8,4 kg



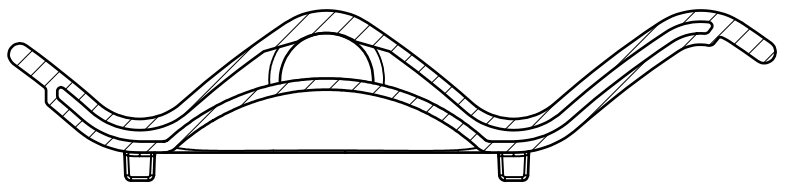
Patent pending
CONFIDENTIAL

Designed by magnus	Checked by	Approved by	Date	Date 2005-07-07
MCC MC CAY CONSULTING			Part10	Sheet 1 / 3
tel/fax: 08-65 22 8 33, mobil: 0709-72 78 02			Edition	

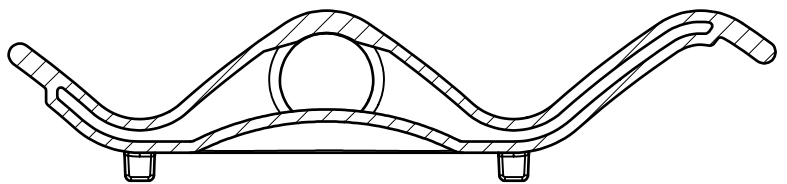
© copyright MCC 2005



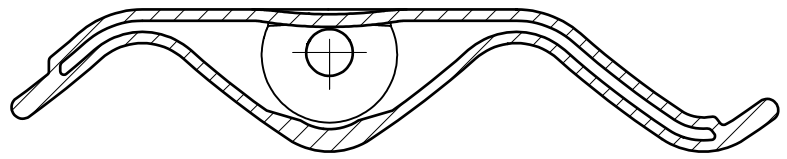
C-C



D-D



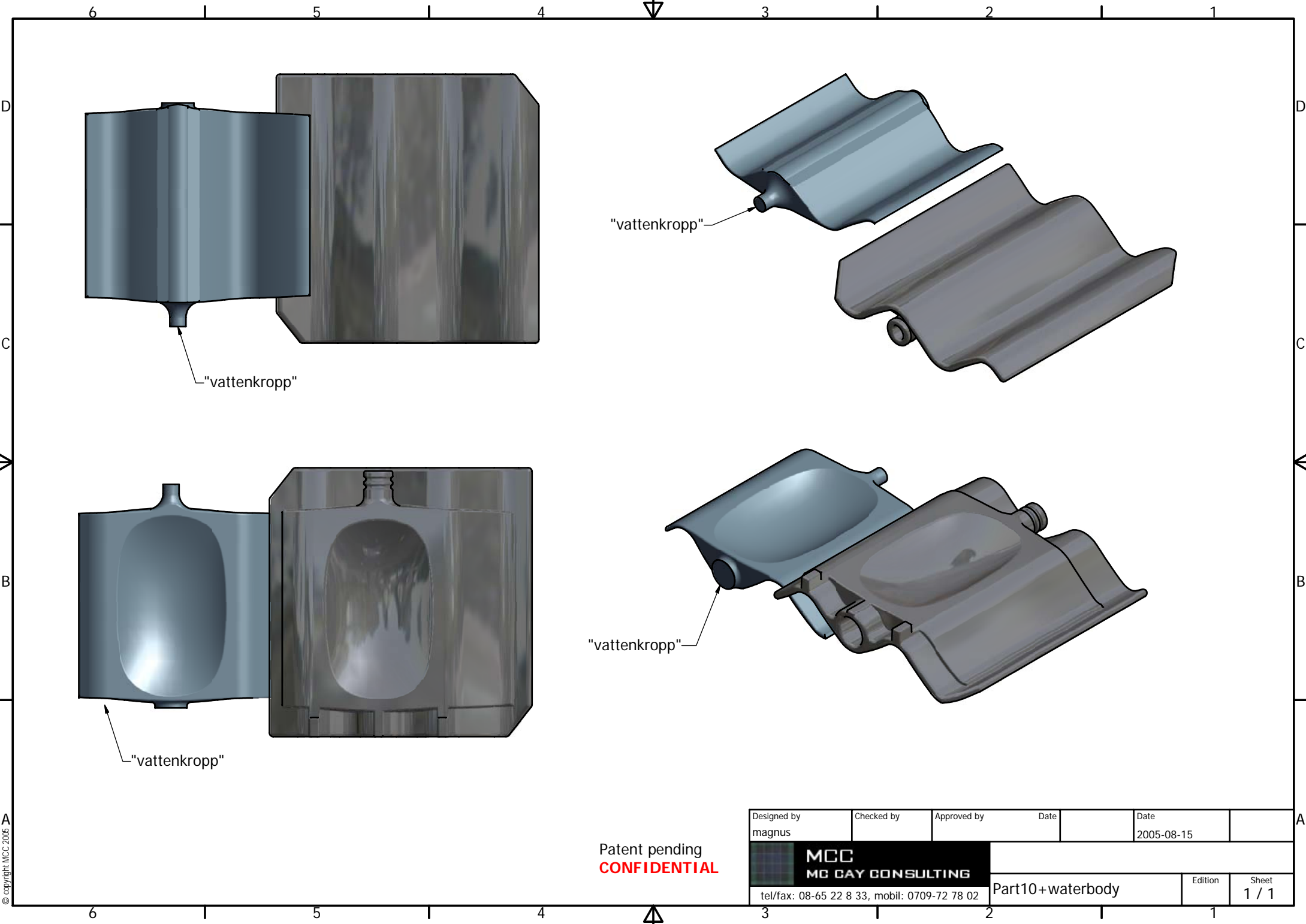
E-E



Patent pending
CONFIDENTIAL


Designed by magnus	Checked by	Approved by	Date	Date 2005-07-07	
MCC MC CAY CONSULTING tel/fax: 08-65 22 8 33, mobil: 0709-72 78 02			Part10		Edition
					Sheet 2 / 3

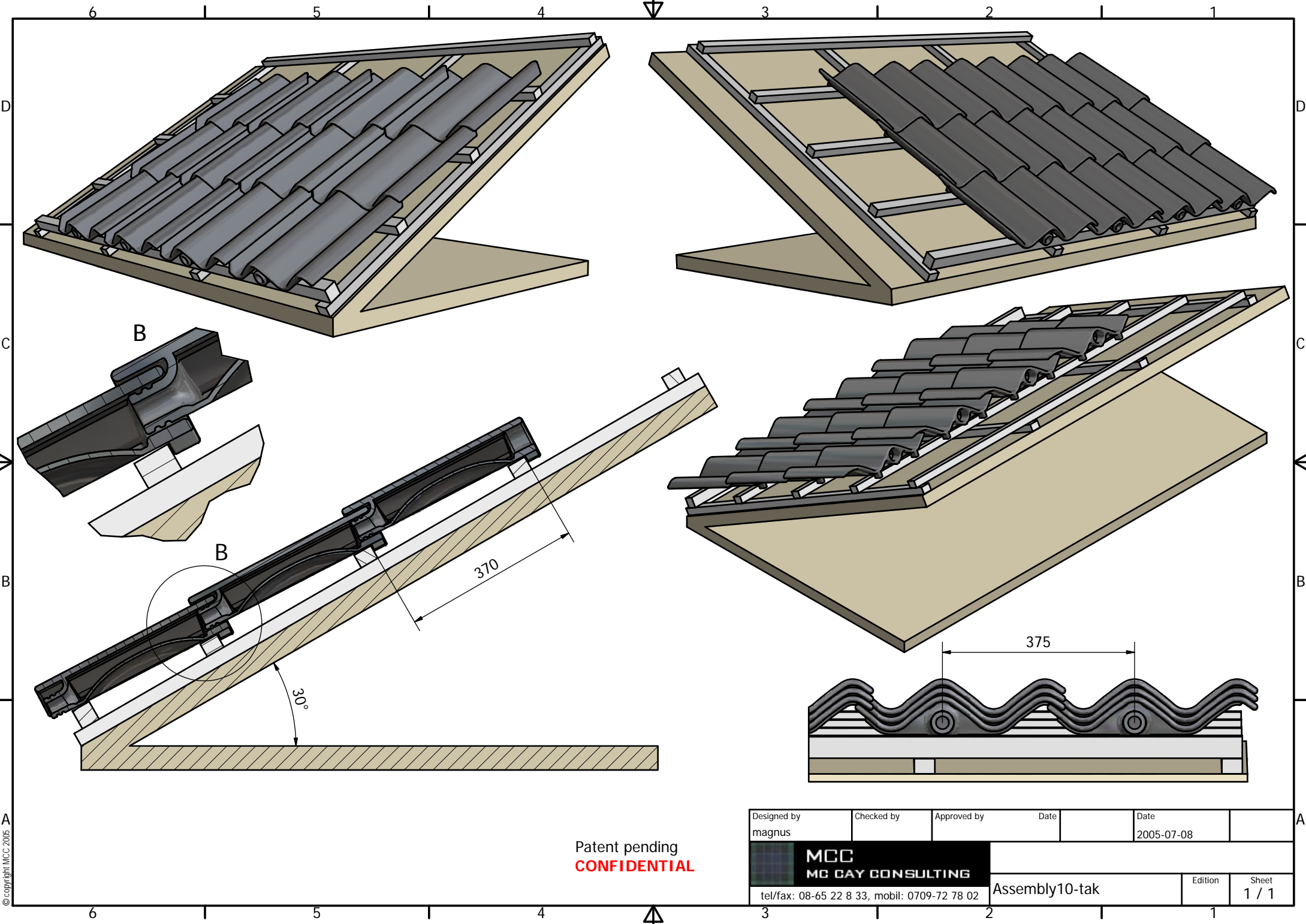
© copyright MCC 2005



© copyright MCC 2005

Patent pending
CONFIDENTIAL

Designed by magnus	Checked by	Approved by	Date	Date 2005-08-15	
 MCC MC CAY CONSULTING			Part10+waterbody		Edition
					Sheet 1 / 1

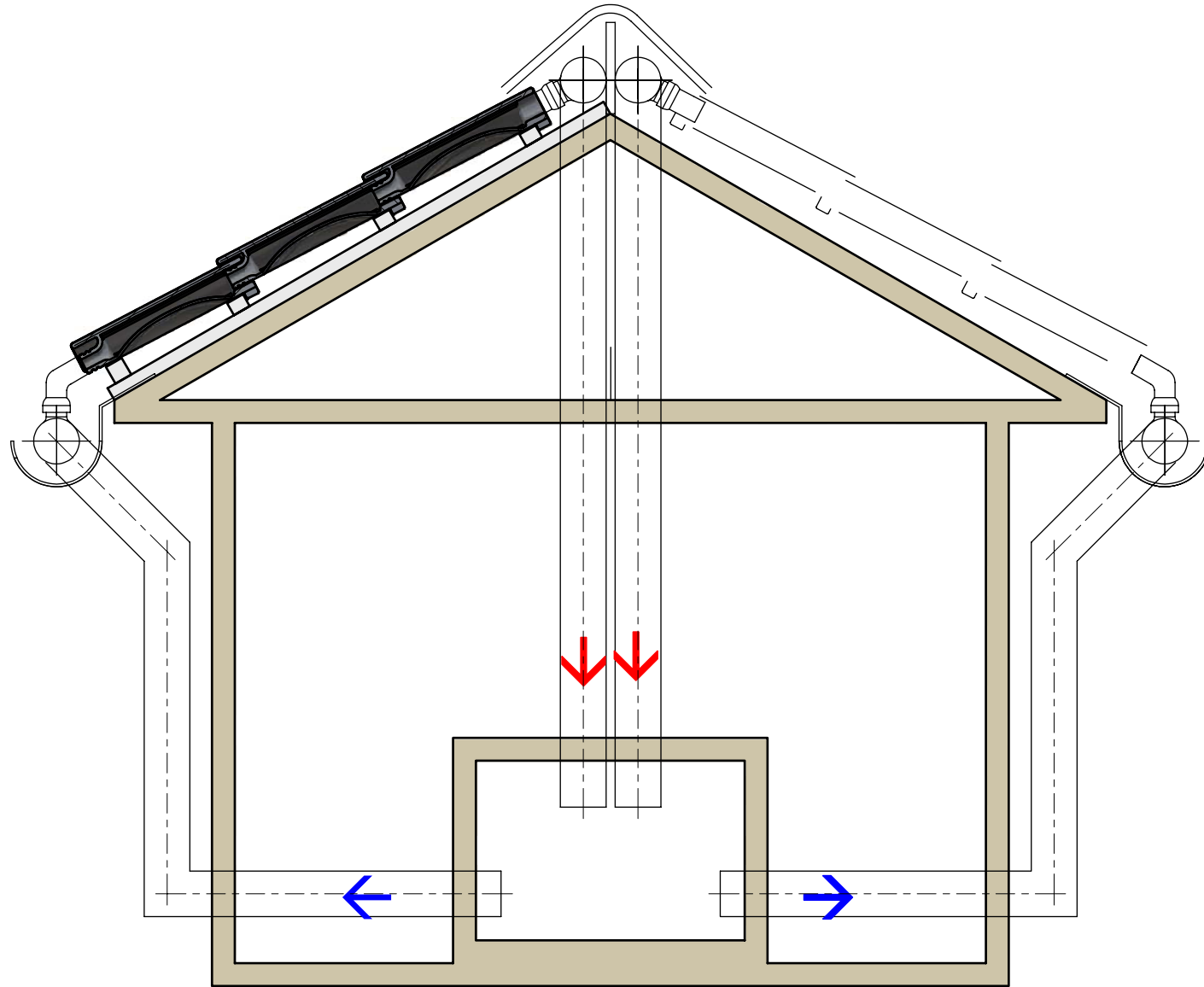


© copyright MCC 2005

Patent pending
CONFIDENTIAL

Designed by magnus	Checked by	Approved by	Date	Date 2005-07-08	
MCC MC CAY CONSULTING			Assembly10-tak		Edition
			tel/fax: 08-65 22 8 33, mobil: 0709-72 78 02		Sheet 1 / 1

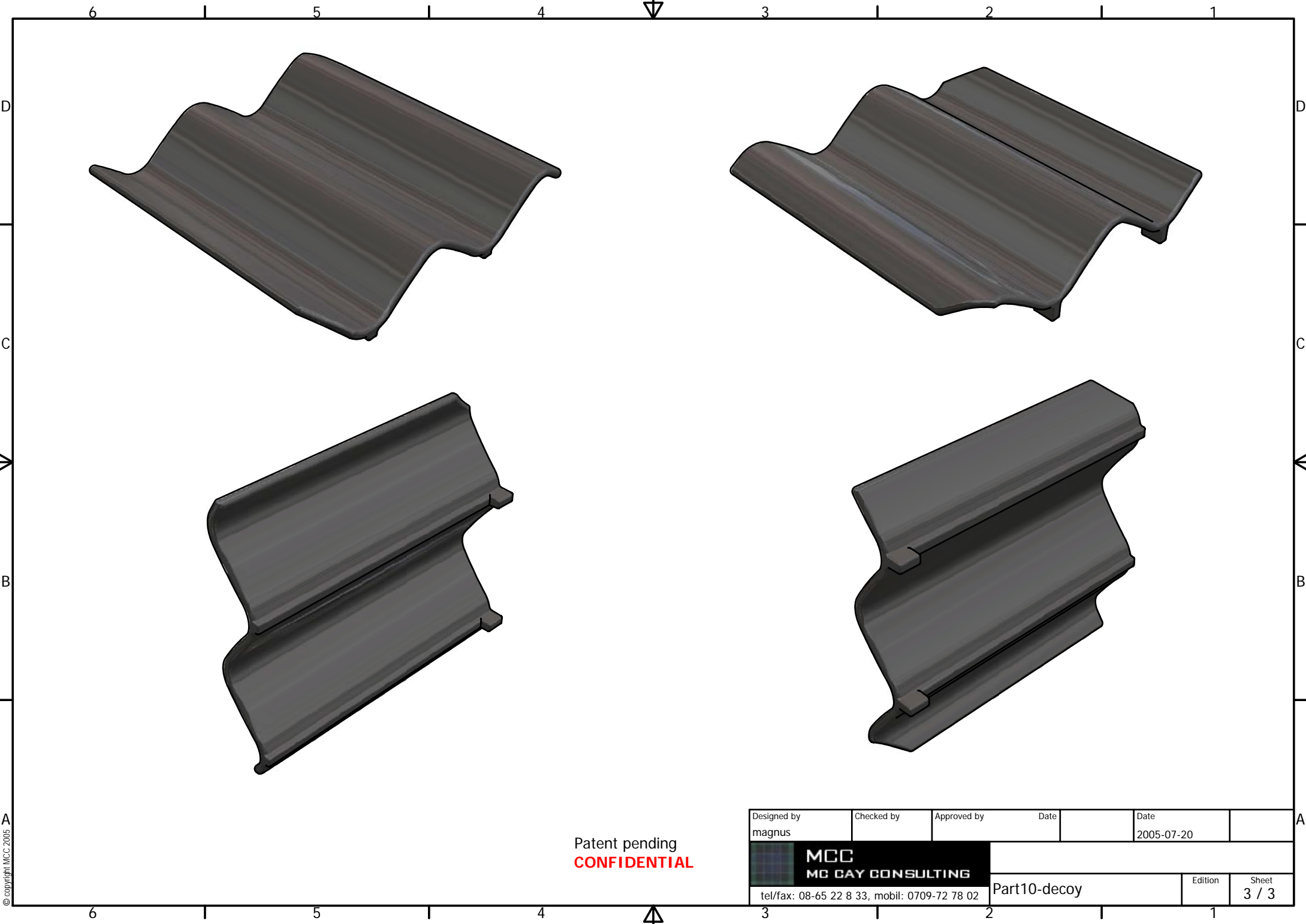
Flöde



Patent pending
CONFIDENTIAL

Designed by magnus	Checked by	Approved by	Date	Date 2005-07-11	
MCC MC CAY CONSULTING					
tel/fax: 08-65 22 8 33, mobil: 0709-72 78 02				Assembly10-flöde	Edition 1 / 1

© copyright MCC 2005



© copyright MCC 2005

Patent pending
CONFIDENTIAL

Designed by magnus	Checked by	Approved by	Date	Date	
MCC MC CAY CONSULTING				2005-07-20	
tel/fax: 08-65 22 8 33, mobil: 0709-72 78 02			Part10-decoy	Edition	Sheet 3 / 3